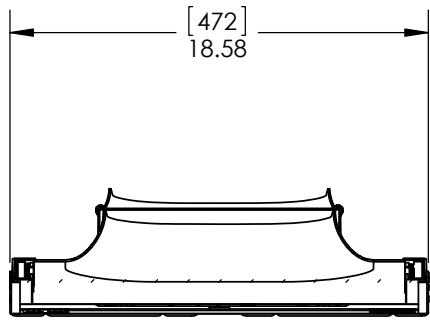
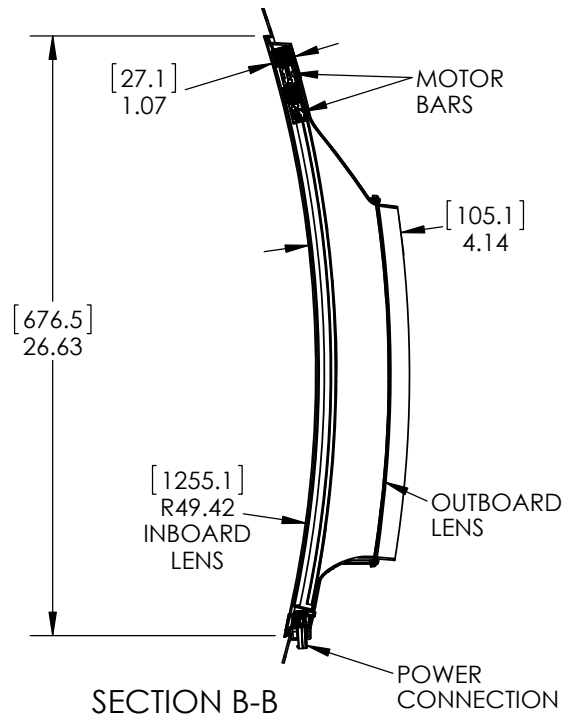
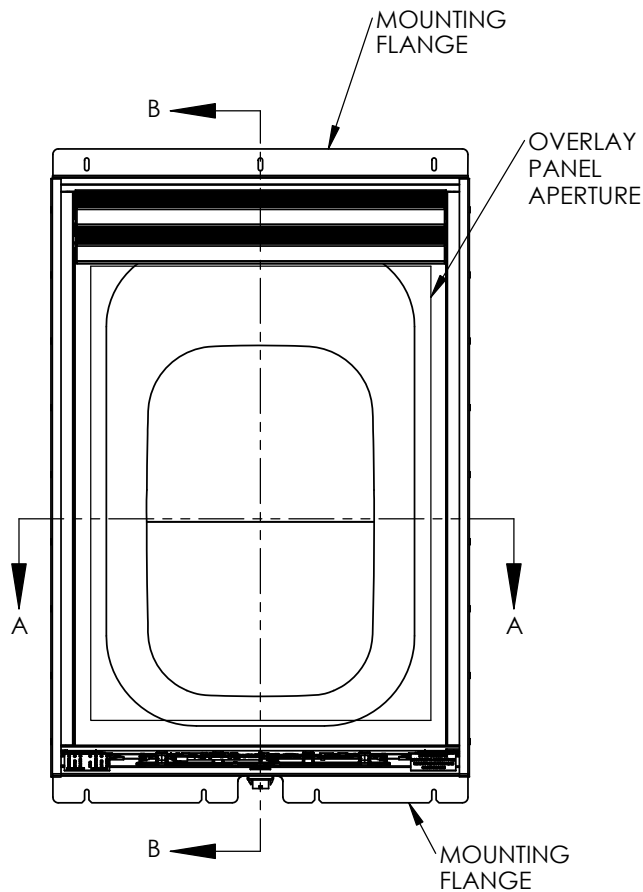


BOMBARDIER CHALLENGER 605

Cabin Window Shades



SECTION A-A



SECTION B-B

**ATG
RELEASED**

NOTE: ALL DIMENSIONS IN [MM] INCH
ATG55F001

SPC-MKT-55-001_A

BOMBARDIER CHALLENGER 605

Cabin Window Shades

FEATURES

Window shade assemblies are enclosed, self-contained, electrically powered units consisting of:

- Dual honeycomb pleated shade and rail system:
 - Translucent shade providing light diffusion
 - Opaque (blackout) shade
- Rack and pinion guidance mechanism
- 28-volt dc micro-miniature custom motors
- Printed circuit board controller with software control cabin management system
- Ability to integrate with any switch/CMS supplier
- Ultra thin, approximately 1" overall depth
- State-of-the-art, lightweight, polycarbonate construction
- Weight: approximately 7.75 lb (3.5 kg)
- Available in 12 standard colors. Custom colors available at additional cost and leadtime



SUPPORT

ATA format 100 CMM/IPC shipped with each order
AOG spares availability
5-year warranty

CERTIFICATION

Meets RTCA DO-160 E/F/G
Meets 14 CFR 25.853 requirements for flammability
FAA PMA

ELECTRICAL

Nominal Operating Voltage: 28 Vdc
Emergency Operation: 18 Vdc - 32.5 Vdc
System Idle Current: 35 mA
Nominal Operating Current: < 120 mA
Maximum Inrush Current: 405 mA (< 20 msecs)
Locked Motor Current: 272 mA (< 25 secs)

Wiring Pin-Out Description for Aircraft Interface Connector:



Aircraft Interface Connector
Molex P/N: 39-01-2080

Pin 1 - 28 Vdc
Pin 2 - Attendant Open
Pin 3 - Ground Return
Pin 4 - Remote User Open
Pin 5 - N/C
Pin 6 - Attendant Close
Pin 7 - N/C
Pin 8 - Remote User Close

**ATG
RELEASED**

For reference only. Please contact Aerospace Technologies Group, Inc. for the most current information.