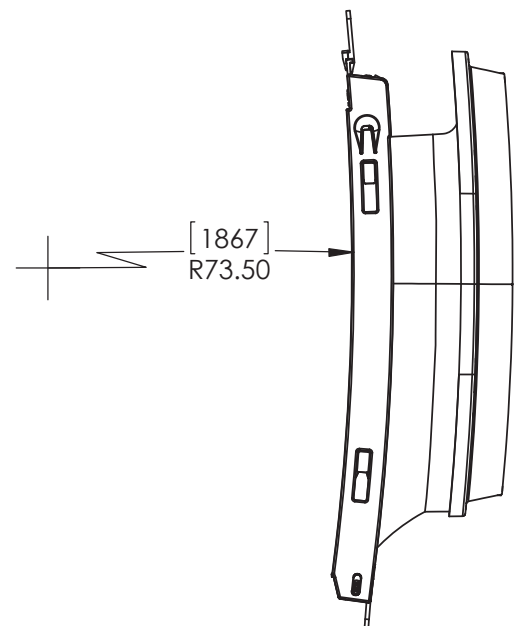
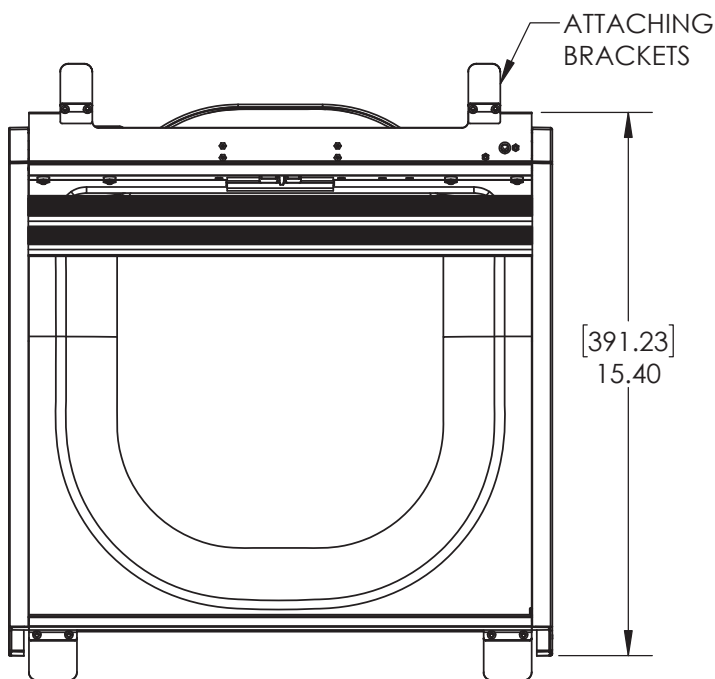
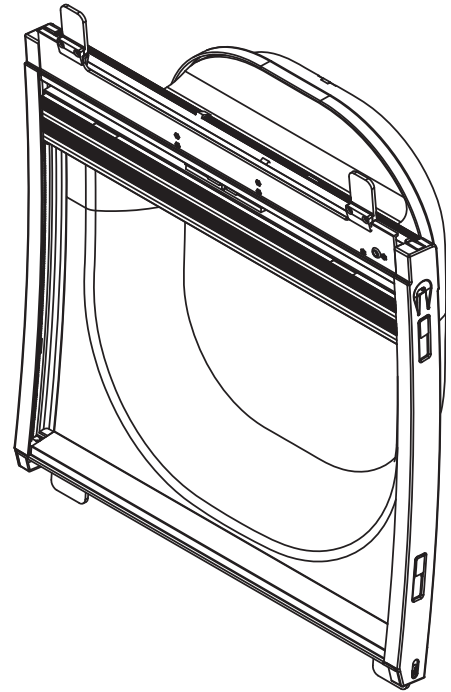
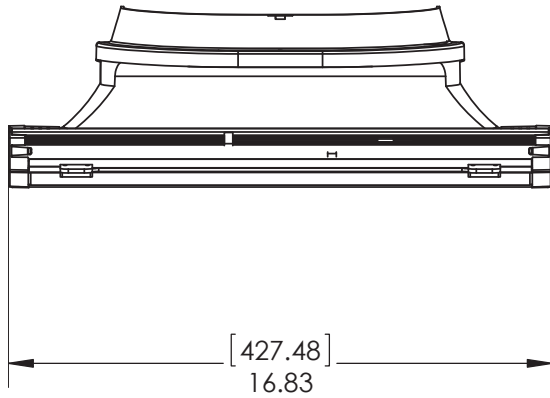


BOEING 707/727/737/757 SERIES

Exit Hatch Windows



**ATG
RELEASED**

NOTE: ALL DIMENSIONS IN [MM] INCH
ATG-MS2-38-5021

SPC-MKT-38-003_A

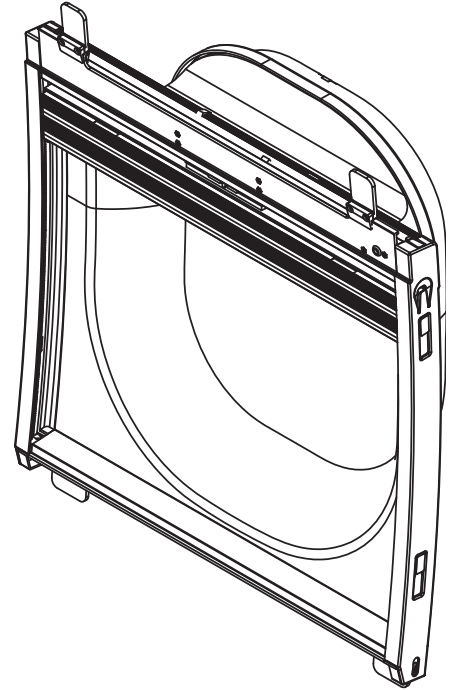
BOEING 707/727/737/757 SERIES

Exit Hatch Windows

FEATURES

Window shade assemblies are enclosed, self-contained, electrically powered units consisting of:

- Dual honeycomb pleated shade and rail system:
 - Translucent shade providing light diffusion
 - Opaque (blackout) shade
- Rack and pinion guidance mechanism
- Indexed stainless steel drive cable system
- Powerful 28-volt dc 22 mm motor with electrical brake mechanism eliminates uncommanded shade motion
- BART window shade controller
- Ability to integrate with any switch/CMS supplier
- State-of-the-art, lightweight, composite construction
- Weight: approximately 9 lb (4.08 kg)
- Available in 12 standard colors. Custom colors available at additional cost and leadtime
- Manually operated Emergency Override (EOR) System



SUPPORT

ATA format 100 CMM/IPC shipped with each order

AOG spares availability

5-year warranty

CERTIFICATION

*Meets RTCA DO-160 E/F/G

Meets 14 CFR 25.853 requirements for flammability

Certificate of Conformance and Certification Support provided

ELECTRICAL

Nominal Operating Voltage: 28 Vdc

Emergency Operation: 22* Vdc - 32.5 Vdc

System Idle Current: 44 mA

Nominal Operating Current: 190 mA

Maximum Inrush Current: 600 mA (< 20 msecs)

Locked Motor Current: 750 mA (< 15 secs)

Wiring Pin-Out Description for Aircraft Interface Connector:



Aircraft Interface Connector
Molex P/N: 39-01-2080

- Pin 1 - 28 Vdc
- Pin 2 - Remote Master Open
- Pin 3 - Ground Return
- Pin 4 - Remote User Open
- Pin 5 - N/C
- Pin 6 - Remote Master Close
- Pin 7 - N/C
- Pin 8 - Remote User Close

* Low voltage exemption granted

ATG
RELEASED

For reference only. Please contact Aerospace Technologies Group, Inc. for the most current information.