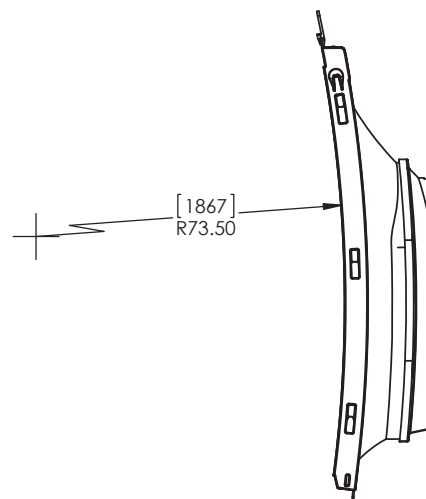
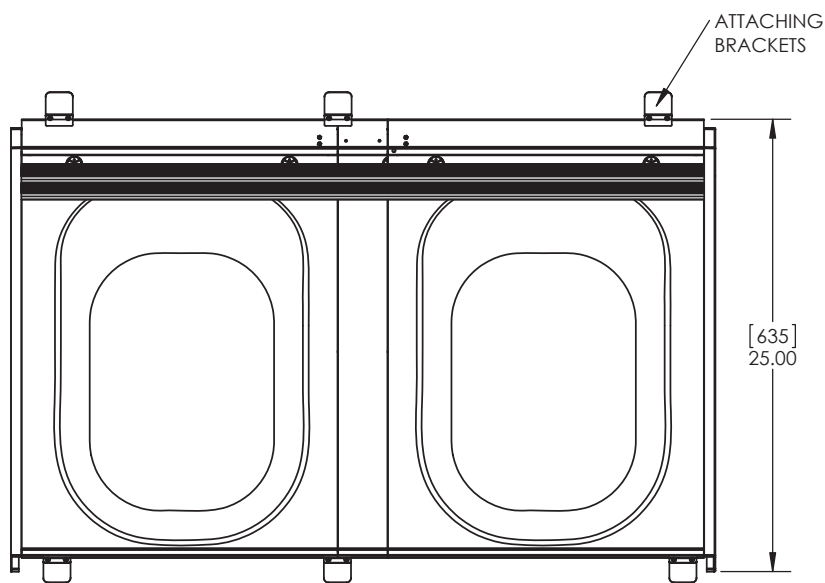
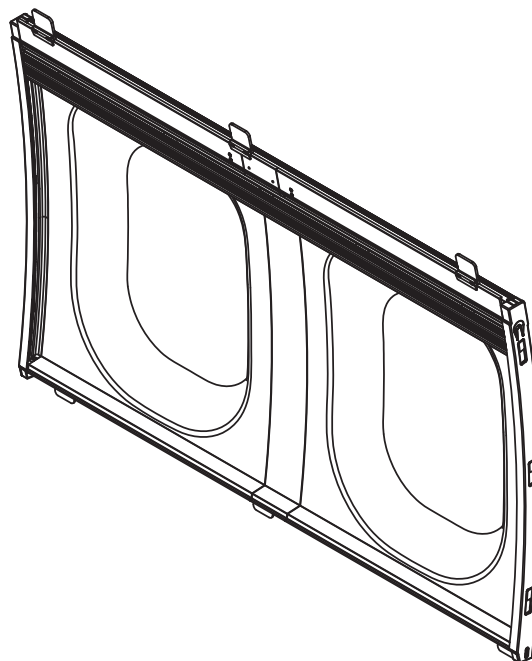
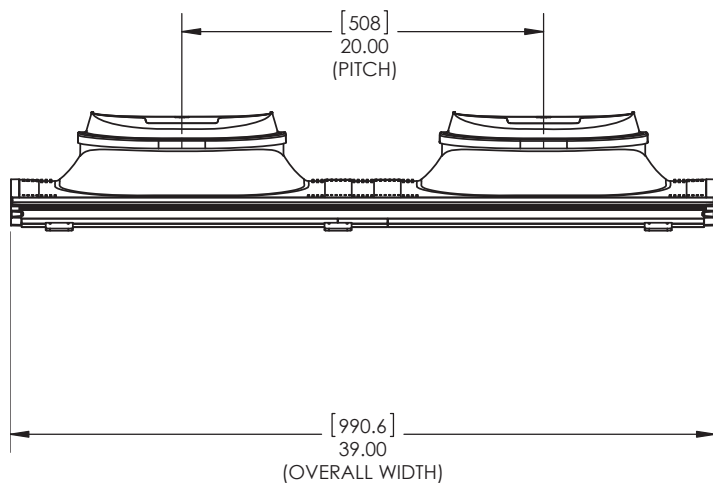


AIRBUS A318/A319/A320/A321 SERIES

Cabin Window Shades - Double Width



NOTE: ALL DIMENSIONS IN [MM] INCH
ATG48F028

**ATG
RELEASED**

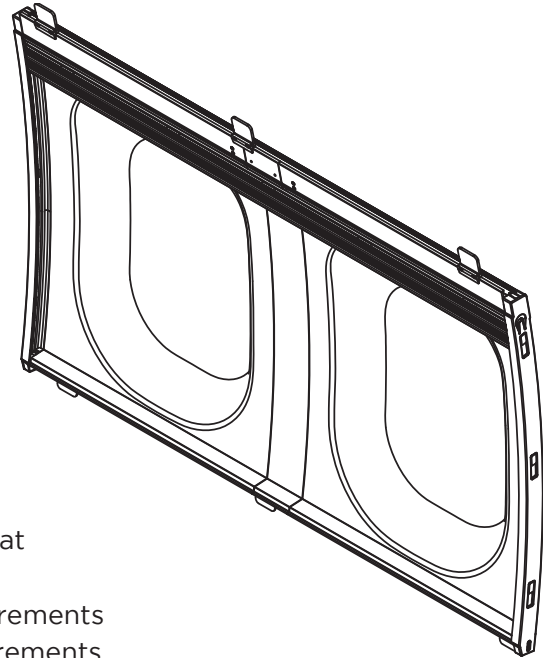
SPC-MKT-48-002_A

AIRBUS A318/A319/A320/A321 SERIES Cabin Window Shades - Double Width

FEATURES

Window shade assemblies are enclosed, self-contained, electrically powered units consisting of:

- Dual honeycomb pleated shade and rail system:
 - Translucent shade providing light diffusion
 - Opaque (blackout) shade
- Rack and pinion guidance mechanism
- Indexed stainless steel drive cable system
- Powerful 28-volt dc 22 mm motor with electrical brake mechanism eliminates uncommanded shade motion
- BART window shade controller
- Ability to integrate with any switch/CMS supplier
- State-of-the-art, lightweight, composite construction
- Weight: maximum 22.05 lb (10 kg)
- Available in 12 standard colors. Custom colors available at additional cost and leadtime
- 24.25"-42.50" overall width, variable widths at 0.25" increments
- 19.00"-23.50" overall pitch, variable pitches at 0.25" increments



SUPPORT

ATA format 100 CMM/IPC shipped with each order
AOG spares availability
5-year warranty

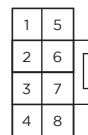
CERTIFICATION

*Meets RTCA DO-160 E/F/G
Meets 14 CFR 25.853 requirements for flammability
Certificate of Conformance and Certification Support provided

ELECTRICAL

Nominal Operating Voltage: 28 Vdc
Emergency Operation: 22* Vdc - 32.5 Vdc
System Idle Current: 44 mA
Nominal Operating Current: 248 mA
Maximum Inrush Current: 600 mA (< 20 msecs)
Locked Motor Current: 750 mA (< 15 secs)

Wiring Pin-Out Description for Aircraft Interface Connector:



Aircraft Interface Connector
Molex P/N: 39-01-2080

Pin 1 - 28 Vdc
Pin 2 - Remote Master Open
Pin 3 - Ground Return
Pin 4 - Remote User Open
Pin 5 - N/C
Pin 6 - Remote Master Close
Pin 7 - N/C
Pin 8 - Remote User Close

* Low voltage exemption granted

**ATG
RELEASED**

For reference only. Please contact Aerospace Technologies Group, Inc. for the most current information.