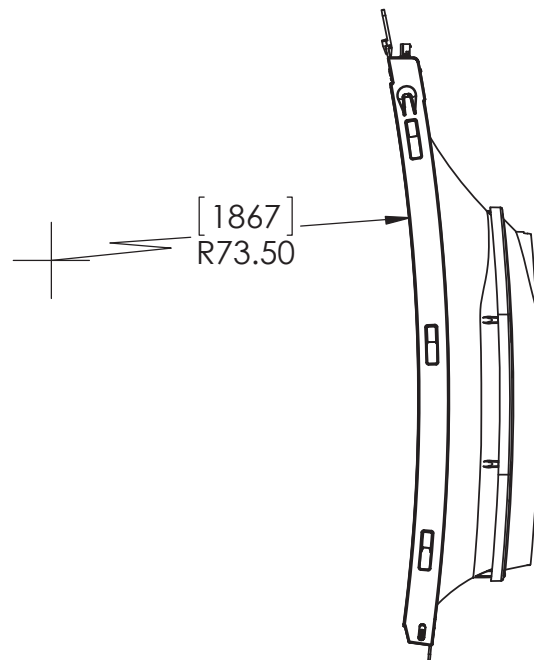
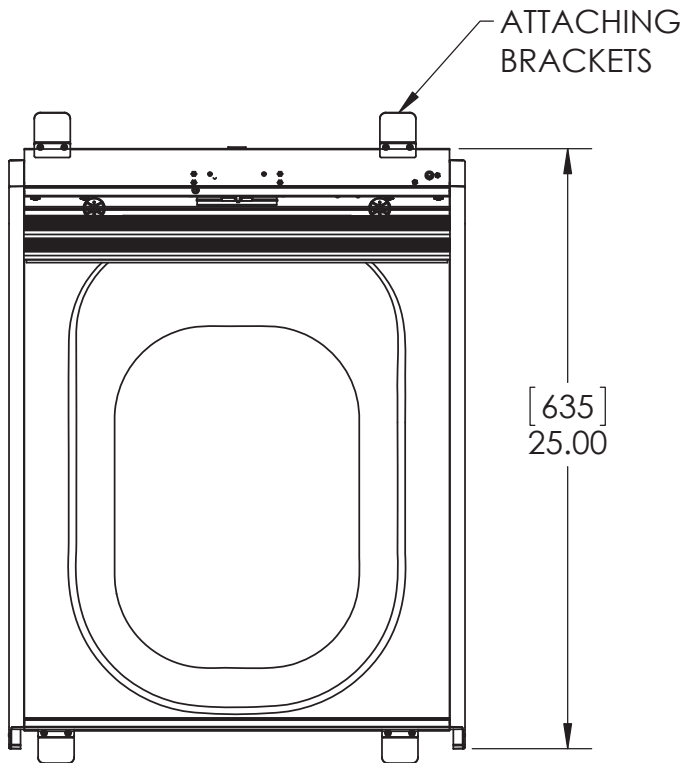
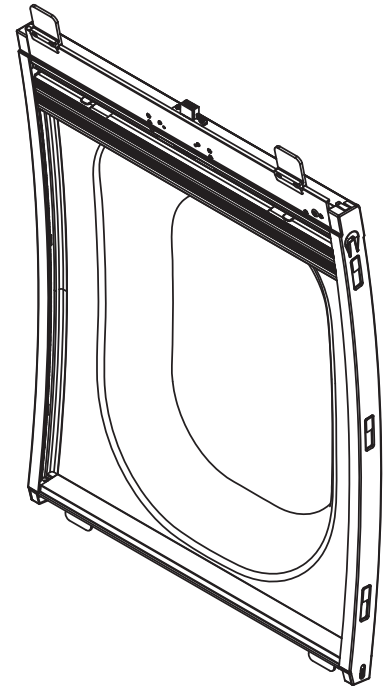
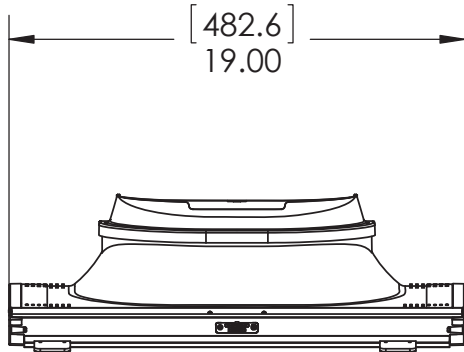


## BOEING 707/727/737/757 SERIES

Cabin Window Shades - Single Width



NOTE: ALL DIMENSIONS IN [MM] INCH  
ATG38F011

**ATG  
RELEASED**

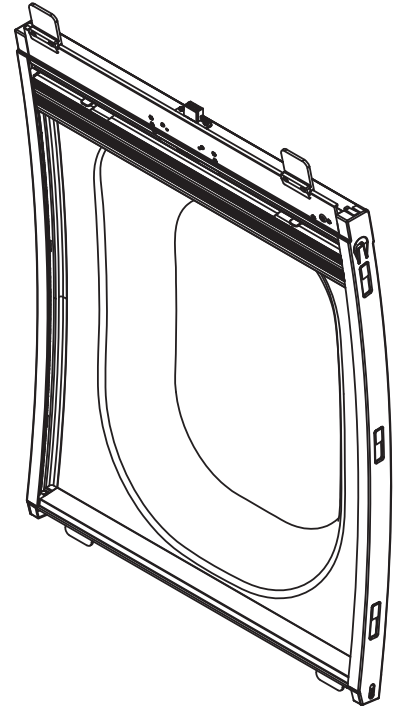
SPC-MKT-38-001\_A

## BOEING 707/727/737/757 SERIES Cabin Window Shades - Single Width

### FEATURES

Window shade assemblies are enclosed, self-contained, electrically powered units consisting of:

- Dual honeycomb pleated shade and rail system:
  - Translucent shade providing light diffusion
  - Opaque (blackout) shade
- Rack and pinion guidance mechanism
- Indexed stainless steel drive cable system
- Powerful 28-volt dc 22 mm motor with electrical brake mechanism eliminates uncommanded shade motion
- BART window shade controller
- Ability to integrate with any switch/CMS supplier
- State-of-the-art, lightweight, composite construction
- Weight: maximum 16 lb (7.2 kg)
- Available in 12 standard colors. Custom colors available at additional cost and leadtime
- 17"-24" overall width, variable widths at 0.25" increments



### SUPPORT

ATA format 100 CMM/IPC shipped with each order  
AOG spares availability  
5-year warranty

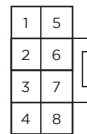
### CERTIFICATION

\*Meets RTCA DO-160 E/F/G  
Meets 14 CFR 25.853 requirements for flammability  
Certificate of Conformance and Certification Support provided

### ELECTRICAL

Nominal Operating Voltage: 28 Vdc  
Emergency Operation: 22\* Vdc - 32.5 Vdc  
System Idle Current: 44 mA  
Nominal Operating Current: 190 mA  
Maximum Inrush Current: 600 mA (< 20 msecs)  
Locked Motor Current: 750 mA (< 15 secs)

Wiring Pin-Out Description for Aircraft Interface Connector:



Aircraft Interface Connector  
Molex P/N: 39-01-2080

Pin 1 - 28 Vdc  
Pin 2 - Remote Master Open  
Pin 3 - Ground Return  
Pin 4 - Remote User Open  
Pin 5 - N/C  
Pin 6 - Remote Master Close  
Pin 7 - N/C  
Pin 8 - Remote User Close

\* Low voltage exemption granted

**ATG  
RELEASED**

*For reference only. Please contact Aerospace Technologies Group, Inc. for the most current information.*